

TECHNICAL SPECIFICATION

Modbus LTE Gateway

AG-201



Features

- LTE and GSM connectivity
- RS485 with Modbus RTU support
- Server communication via MQTT
- Aluminium compact size casing
- Windows PC software for configuration
- Wide power supply range up to 36V
- DIN rail mounting

AG-201 stands as the basic Modbus RTU gateway for users seeking LTE connectivity for their custom applications. This gateway features both RS485 and LTE/GPRS communication capabilities, complete with

SMS support. AG-201 ensures bidirectional connectivity, enabling Modbus RTU data exchange with the cloud with MQTT.

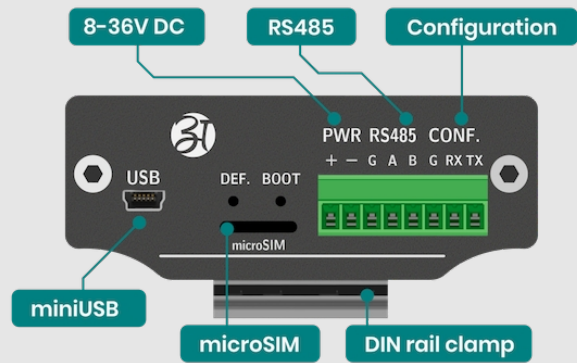
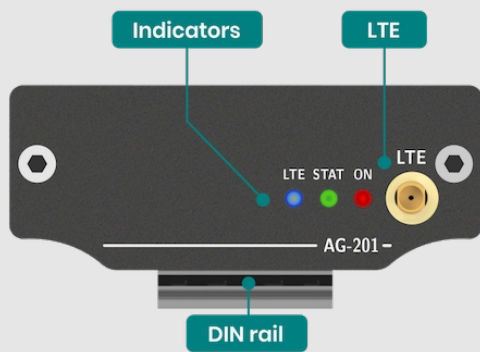
Description	Parameter
Processor	
Type	Cortex-A5
Clock	500MHz
RAM memory	
Memory size	16MB
Serial interface	
Port number	1
Interface type	RS485
Data Rate	2400kbps to 921600
Signals	A and B
Connector	Pluggable screw type
Protection	IEC 61000-4-2 level 4: – 15 kV (air discharge) – 8 kV (contact discharge)

Description	Parameter
Cellular modem	
Band	Please refer table of cellular network on page 3 and 4.
SIM card	1x MicroSIM, push-pull type holder 3V/1.8V
Antenna connector	SMA female
System functions indicators	
Indicators	ACT – activity NET status Power
Configuration	
Configuration method	Windows PC application by UART

Description	Parameter
Power supply	
Power supply	8-36V
Power consumption	3W average (24V)
Connector	Pluggable screw (+, -, earthing)
Protection	Reverse polarity, over voltage
Physical characteristics	
Installation	DIN-Rail, clamp
Housing	Aluminium
Weight	175g (without DIN rail clamp)
Dimensions	88mm x 64mm x 35mm

Description	Parameter
Environmental specification	
Operating temp.	-25 ~ 75°C (-13 ~ 167°F)
Storage temp.	-40 ~ 85°C (-40 ~ 185°F)
Ambient RH	5% ~ 95% (non-condensing)

Gateway



Cellular modem specification of IN (India) version

Bands		Cellular network modem details	
Band LTE FTD	B1/ 3/ 5/ 8		
Band LTE TDD	B34/ 38/ 39/ 40/ 41		
Band GSM	B3/ 8 (900/1800MHz)		
GPRS slot	Multi-slot class 12/10		
Bandwidth	1.4/ 3/ 5/ 10/ 15/ 20 MHz		
Output power	LTE-FDD	Class 3 (23 dBm ±2 dB)	
	LTE-TDD	Class 3 (23 dBm ±2 dB)	
	EGSM900	Class 4 (33 dBm ±2 dB)	
	DCS1800	Class 1 (30 dBm ±2 dB)	
Maximum data rate	LTE-FDD	10 Mbps (DL)/ 5 Mbps (UL)	
	LTE-TDD	8.96 Mbps (DL)/ 3.1 Mbps (UL)	
	GPRS	85.6 Kbps (DL)/85.6 Kbps (UL)	

Standard model list

These are models in regular production. Other models are only made on order with a minimum order quantity. Please [contact us](#) if you require a custom order.

Model	Hardware Options				Supply Voltage	More information
	Cellular Network			GNSS		
AG-201	GPRS	3G	LTE			
AG-221					8-36V	
AG-221-GP	✓		✓	✓	8-36V	

Included accessories

- 1 AG-201 Gateway
- 2 Cellular antenna
- 2 DIN rail clamp with screws
- 3 Female 8 pin main connector without cable

Please note: The set does not include a power supply.

**For more details
scan or click on
QR code**



Copyright

Copyright © 2026 Atreyo Research and Development Pvt. Ltd. This technical specification is protected under national and international copyright laws. No part of this user manual may be reproduced, distributed, translated, or transmitted in any form or by any means, electronic or mechanical, including photocopying, recording, or storing in any information storage and retrieval system, without the prior written permission of Atreyo Research and Development Pvt. Ltd. Copy or use any part of this specifications is prohibited without the prior written permission from the Atreyo Research and Development Pvt. Ltd.

Trademarks

Atreyo and the Atreyo logo are registered trademarks of Atreyo Research and Development Pvt. Ltd. All other trademarks and copyrights are the property of their respective owners.

Disclaimer

- The information contained in this Technical Specification is provided "as is" and is subject to change without notice. While every effort has been made to ensure the accuracy and completeness of the information contained herein, Atreyo

Research and Development Pvt. Ltd. assumes no responsibility or liability for any errors or omissions.

- Images used in this specification may differ in appearance from the actual product.
- All dimensions mentioned in the drawings are not to scale and are subject to change and update as may be decided by the Atreyo Research and Development Pvt. Ltd.
- Atreyo Research and Development Pvt. Ltd. makes no warranties, either express or implied, regarding the contents of this document, including but not limited to the implied warranties of merchantability and fitness for a particular purpose.
- Users of this Technical Specification should verify the applicability and suitability of the information and procedures to their particular use. Atreyo Research and Development Pvt. Ltd. shall not be liable for any damages, including but not limited to direct, indirect, special, incidental, or consequential damages, arising from or related to the use or inability to use this Technical Specification or the products described herein.
- By using this Technical Specification, you agree to the terms and conditions stated above. Atreyo Research and Development Pvt. Ltd. has right to make additions, deletions, alterations or amendments as and when it deems fit and proper, without any prior notice.

**Atreyo Research
& Development Pvt. Ltd.**

**+91 9727741417
info@atreyo.in**

414, Sunrise Mall, Mansi Circle,
Ahmedabad, Gujarat, India